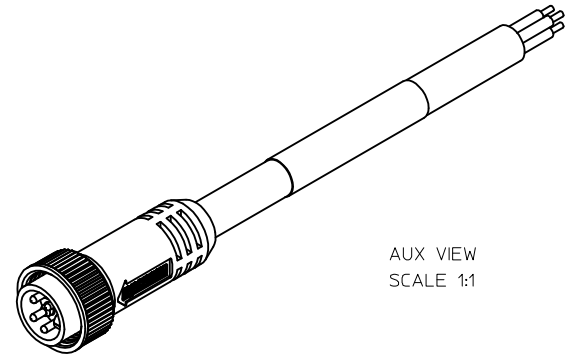


PART NUMBER	ENGINEERING NO.	LENGTH
1300060991	104002A01F030	3' +1.75 - 0 [0.9M +44.5 - 0]
1300060995	104002A01F060	6' +2.19 - 0 [1.8M +55.6 - 0]
1300061002	104002A01F120	12' +3.50 - 0 [3.7M +88.9 - 0]
1300061009	104002A01F200	20' +6.50 - 0 [6.1M +165.1 - 0]

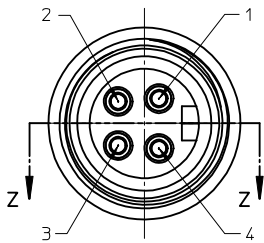
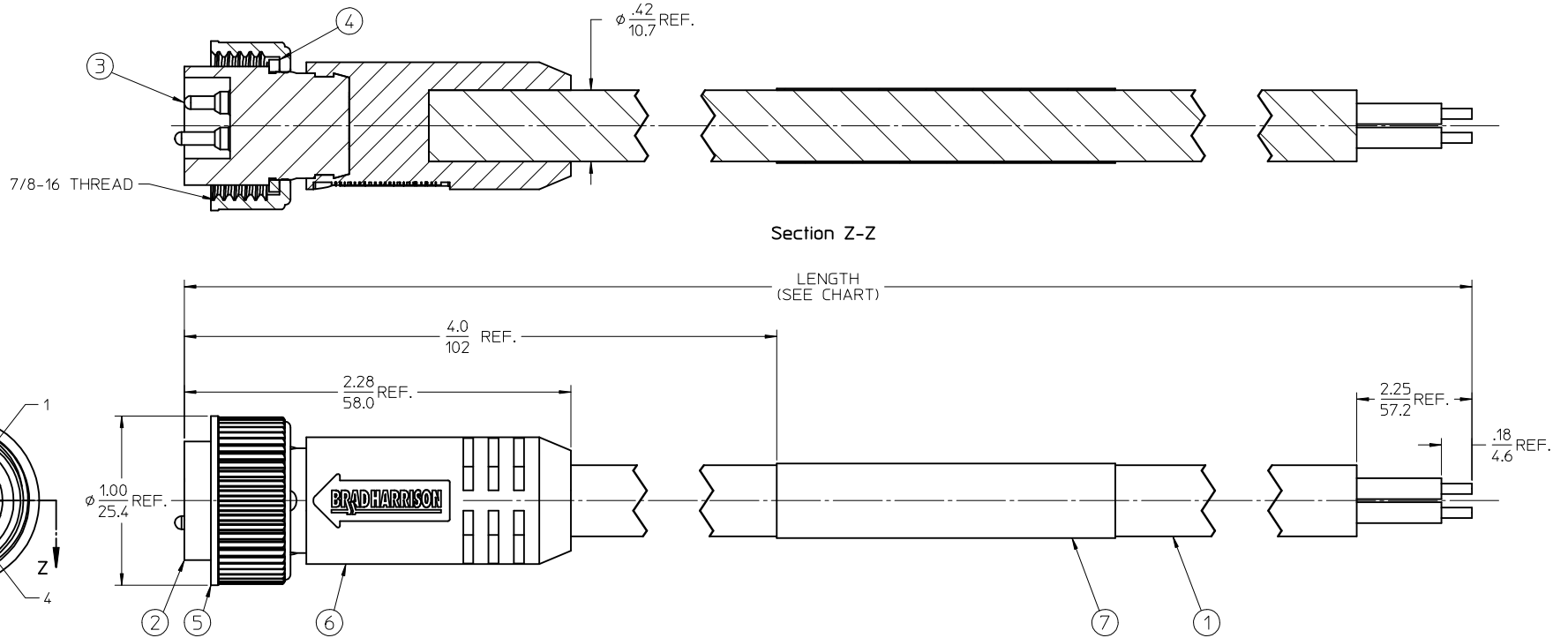
- NOTES:
1. MATERIAL: SEE TABLE
 2. FINISHES: SEE TABLE
 3. CABLE ASSEMBLIES ARE BAGGED SEPERATELY IN POLY BAGS WITH BARCODE LABEL ATTACHED TO OUTSIDE OF BAG
 4. WRAP LABEL IS MARKED WITH P/N, DATE CODE VOLTAGE & AMPERAGE
 5. MATES WITH: MINI CHANGE, A-SIZE 4 POLE RECEPTACLE
 6. ELECTRICAL SPECIFICATIONS:
VOLTAGE RATING: 600V
CURRENT RATING: 10 AMPS
 7. ASSEMBLY IS RoHS COMPLIANT



AUX VIEW
SCALE 1:1

P1	
1	BLACK
2	WHITE
3	RED
4	GREEN/YELLOW

WIRING DIAGRAM



ITEM	QTY.	DESCRIPTION	MATERIAL	FINISH
7	1	LABEL	PLASTIC FILM	BLACK/YELLOW
6	1	OVERMOLD, STRAIGHT	PVC	YELLOW
5	1	COUPLING NUT, FEMALE	ZINC DIE CAST	BLACK
4	1	FRICION RING	NYLON	WHITE
3	4	CONTACT PIN, 16 AWG	BRASS	GOLD PLATED
2	1	INSERT, MALE, 4 POLE	PVC	YELLOW
1	1	CABLE, ST00W/ST #16/4	PVC JACKET	GRAY

PURCHASING DRAWING EC NO: WNA2009-0810 DRAWN: LHARTMANN 2009/06/09 CHKD: RSTONE APPR: JFMURPHY 2009/06/08	QUALITY SYMBOLS
	▽=0
	▽=0
	REV

GENERAL TOLERANCES (UNLESS SPECIFIED)	
mm	INCH
4 PLACES ± --- ± ---	
3 PLACES ± --- ±.005	
2 PLACES ± --- ±.010	
1 PLACE ± --- ±.020	
ANGULAR ±1/2°	
DRAFT WHERE APPLICABLE MUST REMAIN WITHIN DIMENSIONS	

DIMENSION STYLE	SCALE	DESIGN UNITS	THIRD ANGLE PROJECTION
IN/MM	2:1	INCH	
DRAWN BY	DATE	TITLE	
LHARTMANN	2009/06/05	MINI-CHANGE PORTABLE 4 POLE MALE STRAIGHT #16/4 YELLOW ST00W/ST	
CHECKED BY	DATE	MOLEX INCORPORATED	
RSTONE	2009/06/08		
APPROVED BY	DATE	DOCUMENT NO.	
JFMURPHY	2009/06/08	SD-130006-004	
MATERIAL NO.	SIZE	SHEET NO.	
SEE CHART	C	1 OF 1	

THIS DRAWING CONTAINS INFORMATION THAT IS PROPRIETARY TO MOLEX INCORPORATED AND SHOULD NOT BE USED WITHOUT WRITTEN PERMISSION			
---	--	--	--