

Customer Information Sheet

DRAWING No.: M22-19X00XX

SHEET 2 OF 2

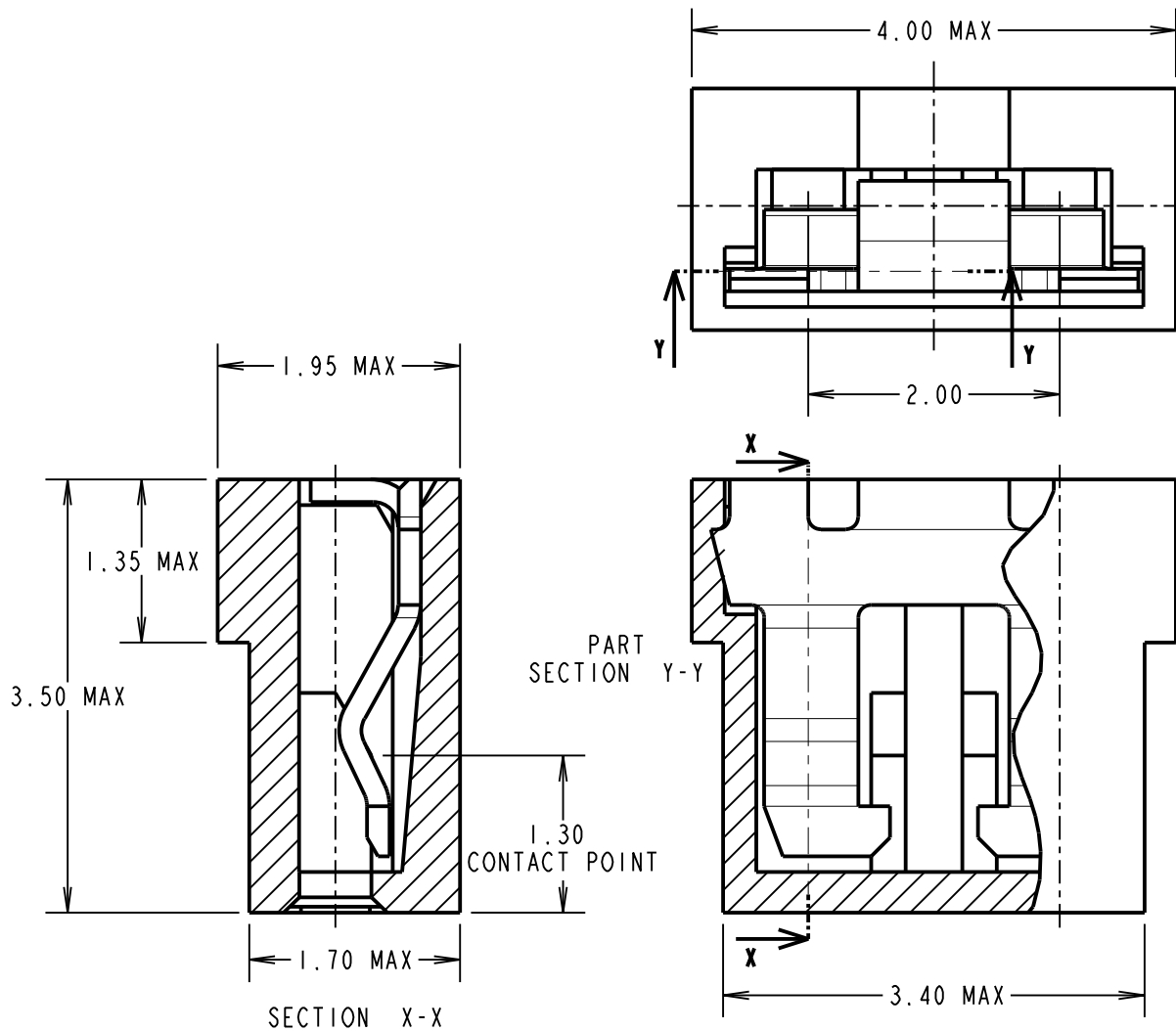
IF IN DOUBT - ASK

©

NOT TO SCALE

THIRD ANGLE PROJECTION

ALL DIMENSIONS IN mm



SPECIFICATIONS:
MATERIALS:
 MOULDING = GLASS FILLED POLYESTER UL94V-0
 CONTACT = BERYLLIUM COPPER
FINISH:
 CONTACT:
 05 = 0.13µ GOLD ON CONTACT FACE OVER NICKEL
 46 = 3µ 100% TIN OVER NICKEL
 MOULDING COLOUR = SEE ORDER CODE
ELECTRICAL:
 CURRENT RATING AT 25°C = 2A MAX
 WORKING VOLTAGE = 250V AC/DC
 VOLTAGE PROOF = 500V AC/DC @ 50Hz
 CONTACT RESISTANCE (MAXIMUM):
 TIN/LEAD = 20mΩ INITIAL
 25mΩ AFTER CONDITIONING
 GOLD = 15mΩ INITIAL
 20mΩ AFTER CONDITIONING
 INSULATION RESISTANCE (MINIMUM):
 INITIAL = 1000MΩ
 AFTER CONDITIONING = 1000MΩ
ENVIRONMENTAL:
 TEMPERATURE RANGE = -40°C TO +85°C
MECHANICAL:
DURABILITY:
 TIN/LEAD = 50 OPERATIONS
 GOLD = 300 OPERATIONS
 INSERTION FORCE = 10N MAX
 WITHDRAWAL FORCE = 1N MIN
 FOR COMPLETE SPECIFICATION, SEE COMPONENT SPECIFICATION C013XX (LATEST ISSUE)

ORDER CODE:
 M22-19X00XX

MOULDING COLOUR
 0 = BLACK
 1 = BLUE
 2 = RED
 3 = LIGHT GREY

CONTACT FINISH
 05 = GOLD
 46 = 100% TIN

MSP	6	09.12.14	12158
NAME	ISS.	DATE	C/NOTE
APPROVED: M.PERREN			
CHECKED: S.BENNETT			
DRAWN: W.J.BOURNE			
CUSTOMER REF.:			
ASSEMBLY DRG:			

HARWIN

www.harwin.com
 technical@harwin.com

THIS DRAWING AND ANY INFORMATION OR DESCRIPTIVE MATTER SET OUT HEREON ARE CONFIDENTIAL AND COPYRIGHT PROPERTY OF THE HARWIN GROUP AND MUST NOT BE DISCLOSED, LOANED, COPIED OR USED FOR MANUFACTURING, TENDERING OR FOR ANY OTHER PURPOSE WITHOUT THEIR WRITTEN PERMISSION.

TOLERANCES
 X. = ±1mm
 X.X = ±0.25mm
 X.XX = ±0.10mm
 X.XXX = ±0.01mm
 ANGLES = ±5°
 UNLESS STATED

MATERIAL:
 SEE ABOVE

FINISH:
 SEE ABOVE

S/AREA:
 mm²

TITLE:
 2mm PITCH JUMPER SOCKET ASSEMBLY (OPEN TOP)

DRAWING NUMBER:
 M22-19X00XX

SHT 2 OF 2