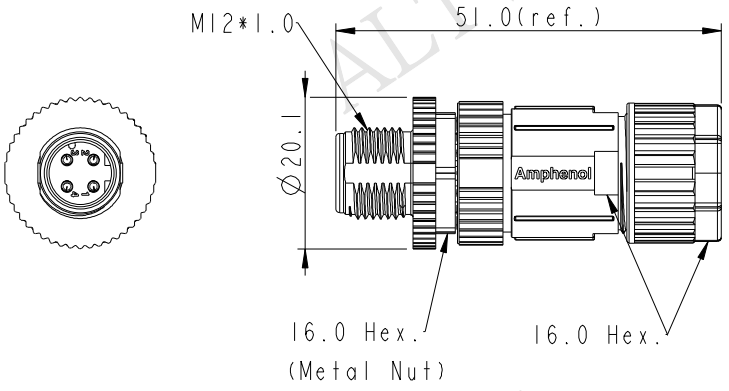
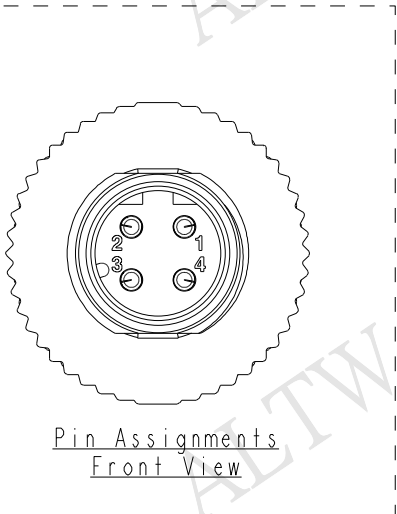
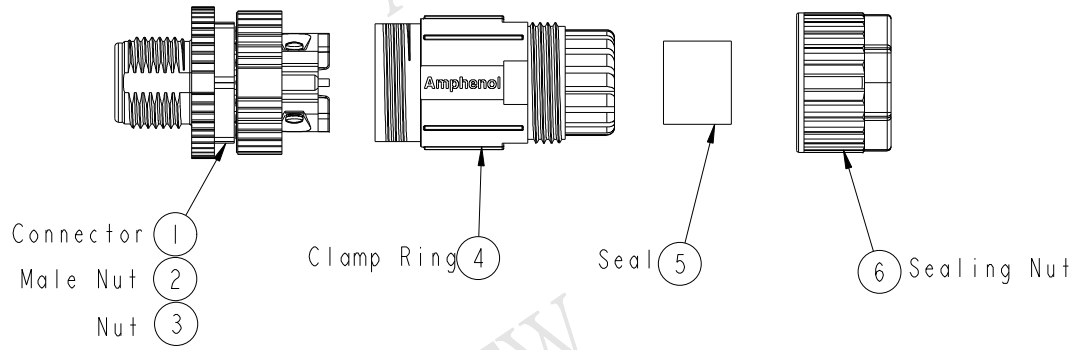


REV.	ECN NO.	DATE	SIGN	DESCRIPTION
A	Initial Release	2015/10/12	Mila	Change Rev. I To Rev. A

**ALTW**  
**CONFIDENTIAL**  
 2015-10-12  
 R&D DEPT.

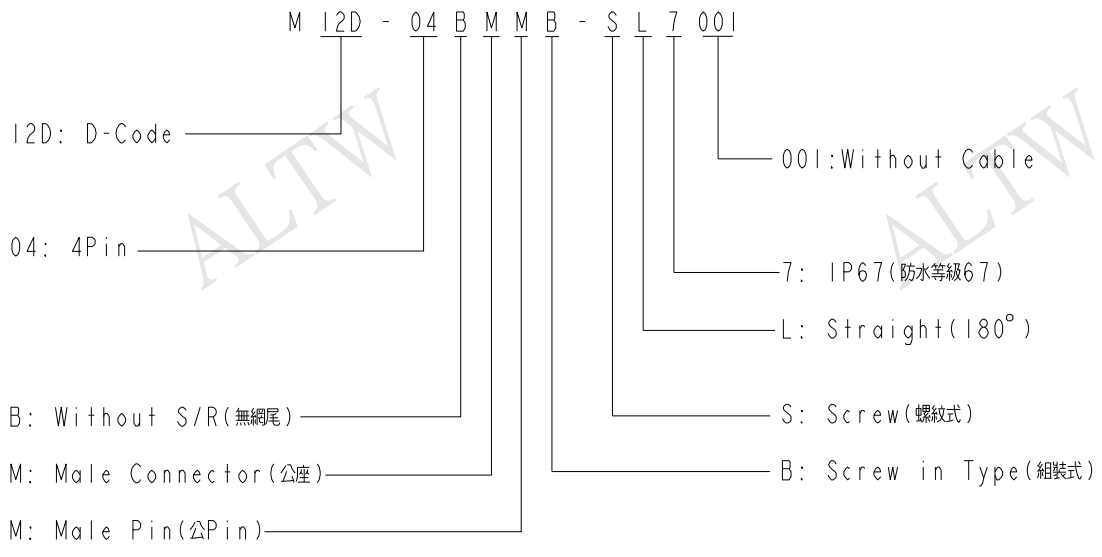
**ALTW**  
 DCC. DEPT.  
 CONFIDENTIAL  
 2015.10.28  
 ISSUED



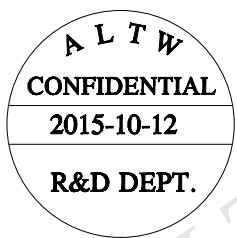
UNIT:mm TOLERANCE ±0.5mm	TITLE M12 D-Code Unshielded Assy 4PIN M Conn M Pin		<b>Amphenol LTW</b> 安費諾亮泰企業股份有限公司		ITEM NO M12D-04BMMB-SL7001	DRAWN BY Mila	DATE 2015-10-12
	SCALE 1:1	SIZE A4			SHEET 1 OF 2	DWG NO M12D-04BMMB-SL7001	CHECKED BY Cary
	REV. A	WC-REV. A.2	QC: Inspection item	CUSTOMER ALTW	APPROVED BY Jerry	DATE 2015-10-12	

THIS DOCUMENT IS SUBJECT TO CHANGE WITHOUT NOTICE. IT IS CONFIDENTIAL AND A PROPERTY OF Amphenol LTW. DISCLOSURE TO THIRD PARTY HAS TO BE AUTHORIZED BY Amphenol LTW.

THIS DOCUMENT IS SUBJECT TO CHANGE WITHOUT NOTICE. IT IS CONFIDENTIAL AND A PROPERTY OF AMPHENOL LTW. DISCLOSURE TO THIRD PARTY HAS TO BE AUTHORIZED BY AMPHENOL LTW.



- Note:
- \*  $\varnothing$  Important Dimension To Check.
  - \* Waterproof Rate: IP67
  - \* Housing: Nylon, Black
  - \* Male Pin: Copper Alloy, Gold Plated
  - \* Male Nut: Zinc Alloy, Nickel Plated
  - \* Nut: PBT+PC, Black
  - \* O-Ring: Silicon, Grey
  - \* Clamp Ring: Nylon, Black
  - \* Sealing Nut: PBT+PC, Black
  - \* Seal: Silicon, Grey
  - \* Seal For Cable OD:  $\varnothing 4.0\text{mm} \sim \varnothing 8.0\text{mm}$
  - \* Screws for Wire connection recommended  
tightening torque: 0.61~0.84 kgf.cm / 0.059~0.082 N.m
  - \* Applicable Wire gauge (Stranded wire cross section)  
0.14mm<sup>2</sup> (26AWG) ~ 0.82mm<sup>2</sup> (18AWG)
  - \* Mating Recommended tightening torque:  
3~4 kgf.cm / 0.29~0.39 N.m
  - \* Sealing-Nut Recommended tightening torque:  
4~6 kgf.cm / 0.39~0.59 N.m
  - \* Detailed applicable wire specifications may vary  
depending on the actual wire construction.



UNIT:mm TOLERANCE $\pm 0.5\text{mm}$	TITLE M12 D-Code Unshielded Assy 4Pin M Conn M Pin		Amphenol LTW 安費諾亮泰企業股份有限公司		ITEM NO M12D-04BMMB-SL7001	DRAWN BY Mila	DATE 2015-10-12
	SCALE 1:1	SIZE A4			SHEET 2 OF 2	DWG NO M12D-04BMMB-SL7001	CHECKED BY Cary
	REV. A	WC-REV. A.2	$\varnothing$ : Inspection item	CUSTOMER ALTW	APPROVED BY Jerry	DATE 2015-10-12	