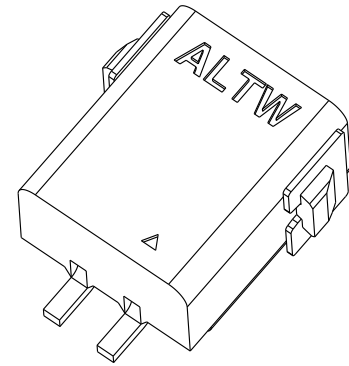
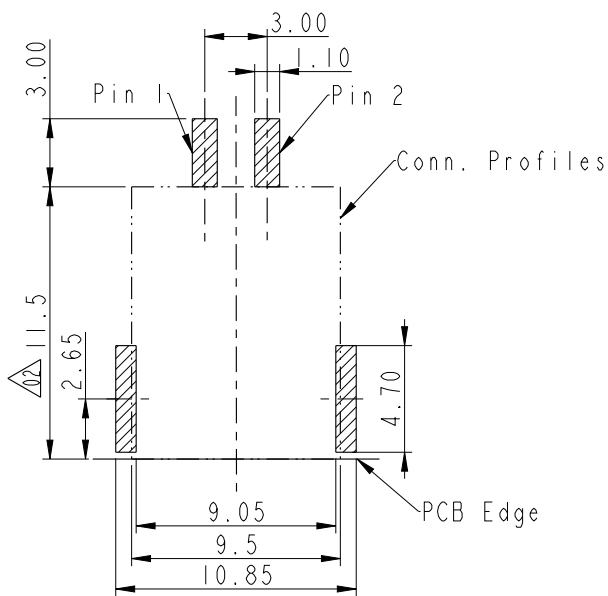
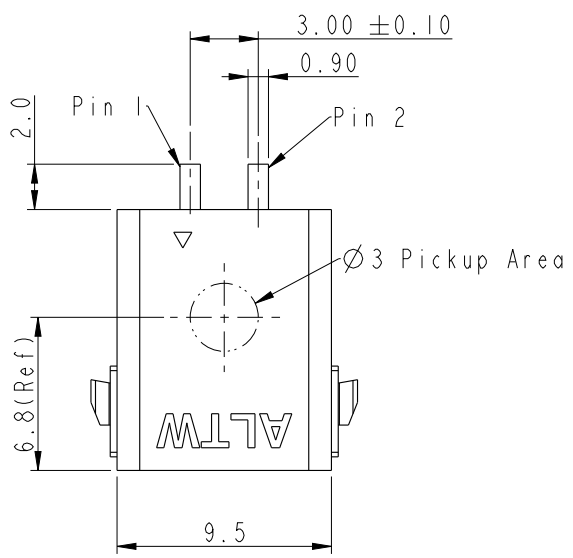


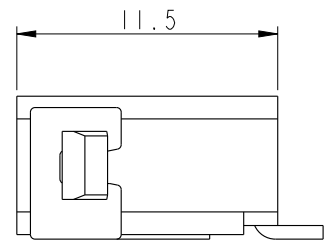
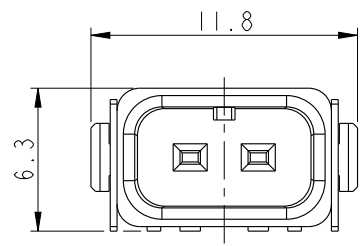
REV.	ECN NO.	DATE	SIGN	DESCRIPTION
A	Initial Release	2014/07/31	Cary	Change To Rev. A

**ALTW**  
CONFIDENTIAL  
2014-07-31  
R&D DEPT.

ALTW  
DCC. DEPT.  
CONFIDENTIAL  
2014.08.12  
ISSUED



RECOMMENDED PCB LAYOUT  
GENERAL TOLERANCE IS ±0.05



- Notes:
- \*  $\varnothing$  Important Dimension To Check.
  - \* Waterproof Rate: IP68(mating)  
1M Depth Of Water In 24 Hours.
  - \* Housing: High temperature thermoplastic.  
UL94V-0, color is natural white.
  - \* Terminal: Copper Alloy, Gold plated on contact area.
  - \* Solder Peg: Copper Alloy, Tin plated over Nickel.
  - \* Current Rating: 5A maximum.
  - \* Voltage Rating: 250V DC/AV maximum.
  - \* Operating Temperature: -40~+105°C

UNIT: mm  
TOLERANCE ±0.5mm

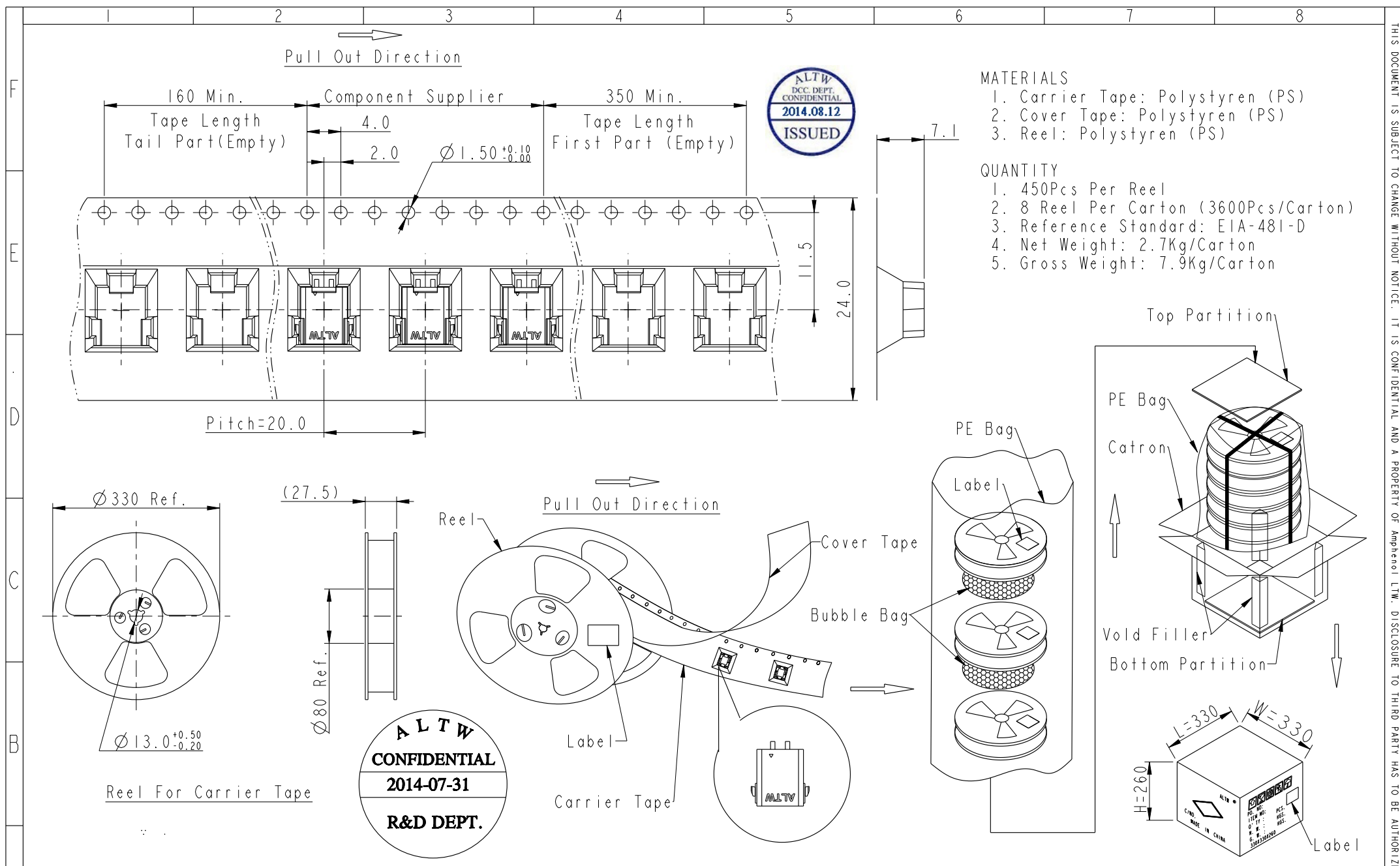
TITLE SSL1.2 2P R/A SMT JACK CONN.			
SCALE 3:1	SIZE A4	SHEET 1 OF 2	
REV. A	WC-REV. A.4	⊙: Inspection item	

**Amphenol LTW**  
安費諾亮泰企業股份有限公司

ITEM NO. SSL12-J2D00-000001	DRAWN BY Cary_liu	DATE 2014-07-31
DWG NO. SSL12-J2D00-000001	CHECKED BY Fisher	DATE 2014-07-31
CUSTOMER ALTW	APPROVED BY Jerry	DATE 2014-07-31

THIS DOCUMENT IS SUBJECT TO CHANGE WITHOUT NOTICE. IT IS CONFIDENTIAL AND A PROPERTY OF Amphenol LTW. DISCLOSURE TO THIRD PARTY HAS TO BE AUTHORIZED BY Amphenol LTW.

THIS DOCUMENT IS SUBJECT TO CHANGE WITHOUT NOTICE. IT IS CONFIDENTIAL AND A PROPERTY OF Amphenol LTW. DISCLOSURE TO THIRD PARTY HAS TO BE AUTHORIZED BY Amphenol LTW.



- MATERIALS**
1. Carrier Tape: Polystyren (PS)
  2. Cover Tape: Polystyren (PS)
  3. Reel: Polystyren (PS)
- QUANTITY**
1. 450Pcs Per Reel
  2. 8 Reel Per Carton (3600Pcs/Carton)
  3. Reference Standard: EIA-481-D
  4. Net Weight: 2.7Kg/Carton
  5. Gross Weight: 7.9Kg/Carton

**ALTW**  
CONFIDENTIAL  
2014-07-31  
R&D DEPT.

UNIT:mm			TITLE SSL1.2 2P R/A SMT JACK CONN.	<b>Amphenol LTW</b> 安費諾亮泰企業股份有限公司	ITEM NO SSL12-J2D00-000001	DRAWN BY Cary_liu	DATE 2014-07-31
TOLERANCE ±0.5mm			SCALE 3:1	SIZE A4	DWG NO SSL12-J2D00-000001	CHECKED BY Fisher	DATE 2014-07-31
			REV. A	WC-REV. A.4	CUSTOMER ALTW	APPROVED BY Jerry	DATE 2014-07-31
			◎: Inspection item				